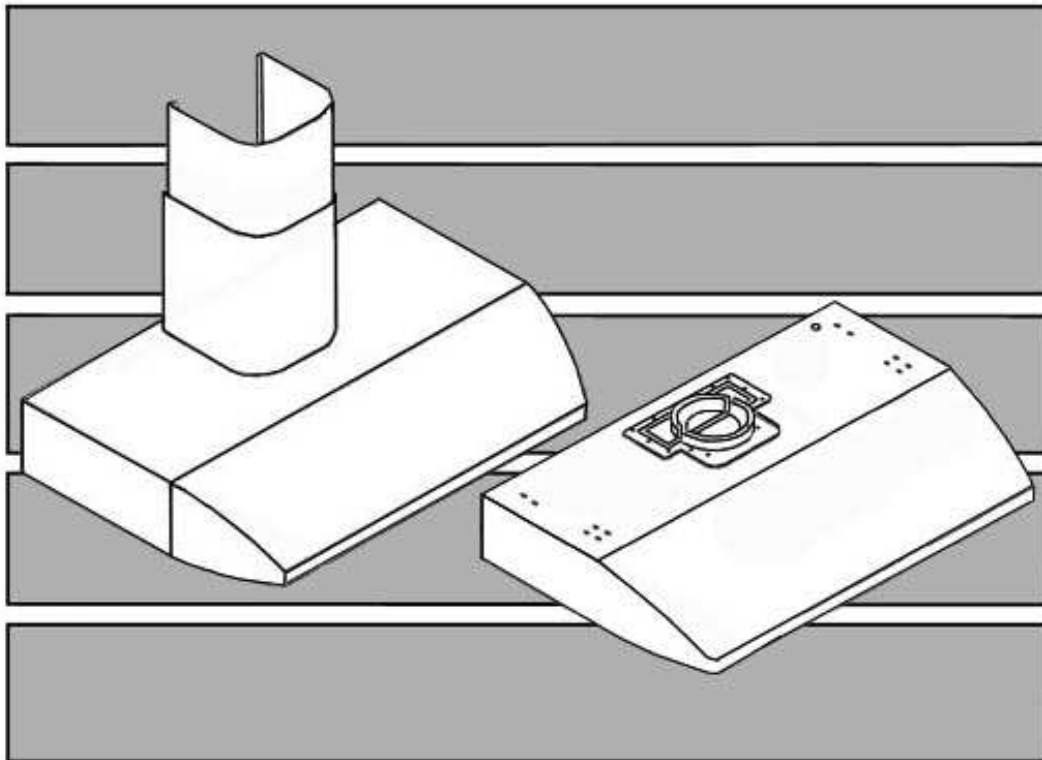


KOBE® **KOBE Brand Range Hood**

**Model No. CH2230SQ
CH2236SQ**

CH-122 SERIES – 6” HEIGHT



**INSTALLATION INSTRUCTIONS
AND OPERATION MANUAL**

- READ AND SAVE THESE INSTRUCTIONS -

CONTENTS

Important Safety Instructions.....	1
Components of Package.....	3
Installation.....	4
Operating Instructions.....	17
Maintenance.....	18
Specifications.....	20
Measurements & Diagrams.....	21
Parts List.....	23
Circuit Diagram.....	25
Disclaimer.....	26
Warranty.....	27
Product Registration.....	29

- READ ALL INSTRUCTIONS CAREFULLY BEFORE STARTING -

ALL WIRING MUST BE DONE BY A PROFESSIONAL AND IN ACCORDANCE WITH NATIONAL AND LOCAL ELECTRICAL CODES.



IMPORTANT SAFETY INSTRUCTIONS

- PLEASE READ THIS SECTION CAREFULLY BEFORE INSTALLATION -

WARNING – TO REDUCE THE RISK OF FIRE, ELECTRIC SHOCK OR PERSONAL INJURY, OBSERVE THE FOLLOWING:

- 1) Installation and electrical wiring must be done by qualified professionals and in accordance with all applicable codes and standards, including fire-rated construction.
- 2) When cutting or drilling into wall or ceiling, be careful not to damage electrical wiring or other hidden utilities.
- 3) Ducted fans must be vented to the outside.
 - a) Before servicing or cleaning unit, open the light panel and SWITCH POWER OFF AT SERVICE PANEL.
 - b) Clean fan, optional filter and grease laden surfaces frequently. To reduce the risk of fire and to disperse air properly, make sure to vent air outside. DO NOT vent exhaust air into wall spaces, attics, crawl spaces or garages.

NOTE - This warranty is invalid without an authorized agent's receipt or if unit is damaged due to misuse, poor installation, improper use, mistreatment, negligence or any other circumstances beyond the control of KOBE RANGE HOODS authorized agents. Any repair carried out without the supervision of KOBE RANGE HOODS authorized agents will automatically void the warranty.

- KOBE RANGE HOODS will not be held responsible for any damages to personal property or real estate or any bodily injuries whether caused directly or indirectly by the range hood.

WARNING – TO REDUCE THE RISK OF PERSONAL INJURY IN THE EVENT OF A RANGE TOP GREASE FIRE:

- Keep fan, filter, if any, and grease-laden surfaces clean.
- Always turn hood ON when cooking at high heat.
- Use high settings on cooking range ONLY when necessary. Heat the oil slowly on low to medium setting.
- Do not leave cooking range unattended when cooking.
- Always use cookware and utensils appropriate for the type and amount of food prepared.
- Use this unit only in the manner intended by the manufacturer.
- Before servicing, switch power off at service panel and lock service panel (if possible) to prevent power from switching on accidentally.
- Clean ventilating fans frequently. Grease should not be allowed to accumulate on fan, safety screens, and oil containers.

What to Do In The Event Of a Range Top Grease Fire

- SMOTHER FLAMES with a close fitting lid, cookie sheet, or metal tray, and then turn off the burner. KEEP FLAMMABLE OR COMBUSTIBLE MATERIAL AWAY FROM FLAMES. If the flames do not go out immediately, EVACUATE THE AREA AND CALL THE FIRE DEPARTMENT or 911.
- NEVER PICK UP A BURNING PAN – You may get burned.
- DO NOT USE WATER, including wet dishcloths or towels – a violent steam blast will result.
- Use an extinguisher ONLY if:
 - a) You have a Class A, B, C extinguisher and know how to operate it.
 - b) The fire is small and contained in the area where it started.
 - c) The fire department has been called.
 - d) You can fight the fire with your back to an exit.

What to Do If You Smell Gas

- Extinguish any open flame.
- Do not try to turn on the lights or any type of appliance.
- Open all doors and windows to disperse the gas. If you still smell gas, call the Gas Company and Fire Department right away.

CAUTION

- 1) For general ventilation use only. Do not use to exhaust hazardous or explosive materials and vapors.
- 2) To reduce the risk of fire, use only metal ductwork.
- 3) Follow the heating equipment manufacturer's guideline and safety standards such as those published by the National Fire Protection Association (NFPA), and the American Society for Heating, Refrigeration and Air Conditioning Engineers (ASHRAE), and code authorities.
- 4) Activating any switch may cause ignition or an explosion.

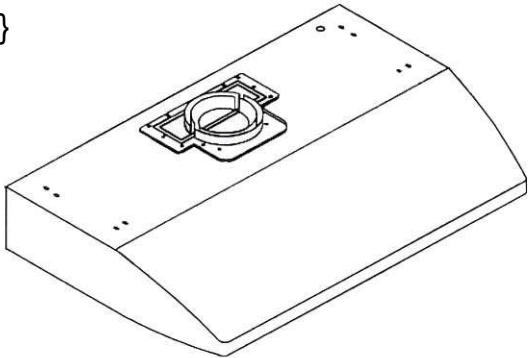

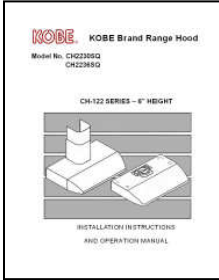
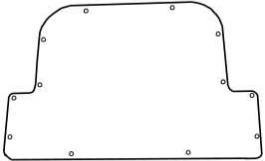
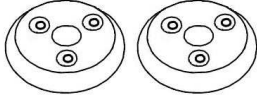

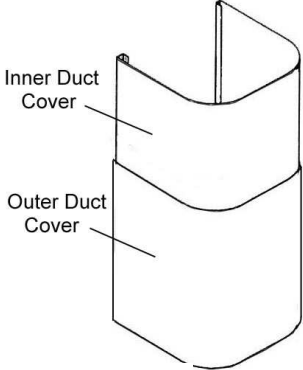



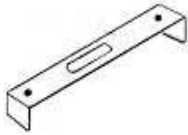
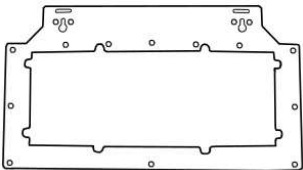
WARNING



ELECTRICAL SHOCK HAZARD – Can result in serious injury or death. Disconnect appliance from electric power before servicing. If equipped, the fluorescent light bulb contains small amounts of mercury, which must be recycled or disposed of according to Local, State, and Federal Codes.

COMPONENTS OF PACKAGE

(Must keep all material for returns or refunds)

Range Hood Box	Duct Cover Box (Sold Separately)
<p>{A} KOBE Range Hood {B} Warranty Registration Card {C} Instructions Manual {D} Vent Cover (Top) {E} Oil Containers (Round) {F} Oil Containers (Oval)</p>  <p>{A}</p>  <p>{B}</p>  <p>{C}</p>  <p>{D}</p>  <p>{E}</p>  <p>{F}</p>	<p>{G} KOBE Duct Cover (Model No. CH1120DC) {H} Screws Package {I} Duct Cover-Mounting Bracket {J} Hood-Mounting Bracket</p>  <p>{G}</p>  <p>3/16" x 3/8" (9 pcs)</p>  <p>4 x 8 mm (8 pcs)</p>  <p>Rubber Stand (2 pcs)</p>  <p>{I}</p>  <p>{J}</p>

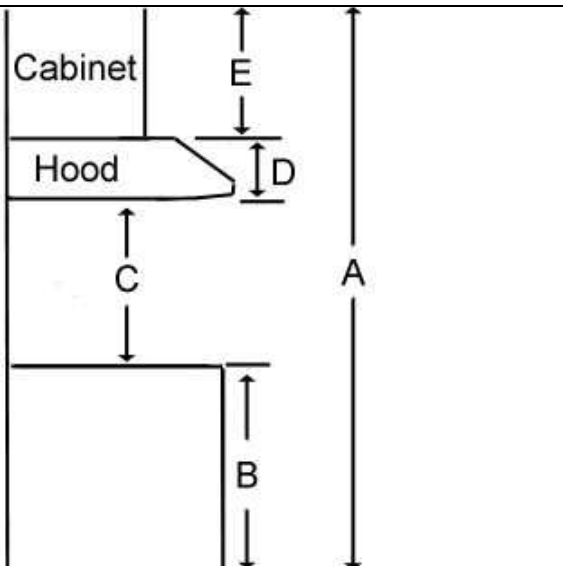
INSTALLATION

PLEASE READ ENTIRE INSTRUCTIONS BEFORE PROCEEDING

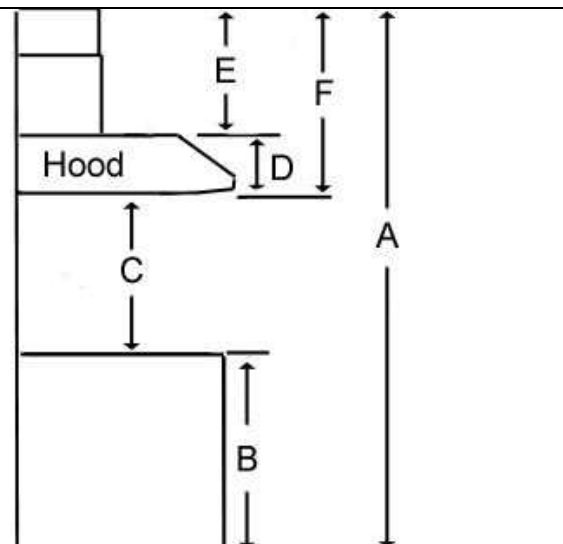
Calculation before Installation

Calculate the length of the installation, before installing the hood. (All calculation is measure in inches.)

- FOR UNDER THE CABINET -

<p>TABLE 1</p> <p>A = Height of Floor to Ceiling B = Height of Floor to Counter Top (Standard: 36") C = Preferred Height of Counter Top to Hood Bottom (Recommended 27" to 30") D = Height of Hood E = Height of the Cabinet</p>	
---	---

- FOR STAND ALONE (WITH OPTIONAL DUCT COVER) -

<p>TABLE 2</p> <p>A = Height of Floor to Ceiling B = Height of Floor to Counter Top (Standard: 36") C = Preferred Height of Counter Top to Hood Bottom (Recommended 27" to 30") D = Height of Hood E = Height of Duct Cover [F – D] F = Height of the Hood Installation [A – (B+C)]</p>	
--	--

▲ SAFETY WARNING

HOOD MAY HAVE VERY SHARP EDGES; PLEASE WEAR PROTECTIVE GLOVES IF IT IS NECESSARY TO REMOVE ANY PARTS FOR INSTALLING, CLEANING OR SERVICING.

NOTE: BE CAREFUL WHEN USING ELECTRICAL SCREWDRIVER, DAMAGE TO THE HOOD MAY OCCUR.

Installation Contents

UNDER THE CABINET	
Top Vent.....	6
Rear Vent.....	8
STAND ALONE	
Top Vent.....	10
Rear Vent.....	13

UNDER THE CABINET INSTALLATION – TOP VENT

Preparation before Installation

NOTE: TO AVOID DAMAGE TO YOUR HOOD, PREVENT DEBRIS FROM ENTERING THE VENT OPENING.

- Decide the location of the venting pipe from the hood to the outside. Refer to Figure 1.
- A straight, short venting run will allow the hood to perform more efficiently.
- Try to avoid as many transitions, elbows, and long run as possible. This may reduce the performance of the hood.
- Temporarily wire the hood to test for proper operation before installing.
- Peel protective film off the hood (if any).
- For installing under the cabinet with recessed bottom, attach 4-inch wide wood filler strips (not included) on each side. Refer to Figure 2.
- Measure and create access opening for electrical wires under the cabinet.
- Cut the multi duct exhaust according to the size of the venting pipe. Refer to Figure 3.

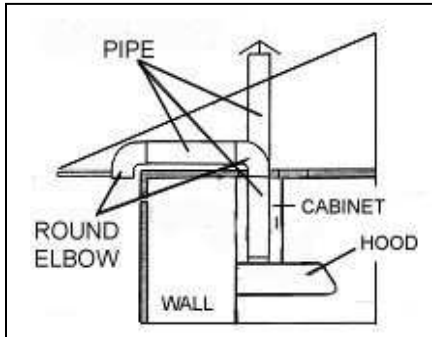


Figure 1

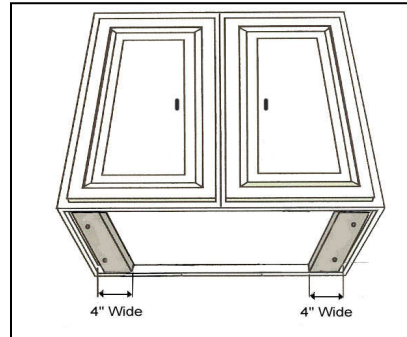


Figure 2

Figure 3



Hood Installation

CAUTION: If required to move the cooking range to install the hood, turn off the power on an electric range at the main electrical box. **SHUT OFF THE GAS BEFORE MOVING A GAS RANGE.**

1. Puncture the knockout holes on the hood as shown in Figure 4.

2. Unscrew the six screws on the bottom casing. Remove the bottom casing. If necessary, arrange the electrical wires to run through the 1" diameter hole on the top or the rear of the hood. Refer to Figure 5.
3. Using references on Table 1 and measurements on page 21 center the hood in place beneath the cabinet and flush with the front of the cabinet.



Figure 4

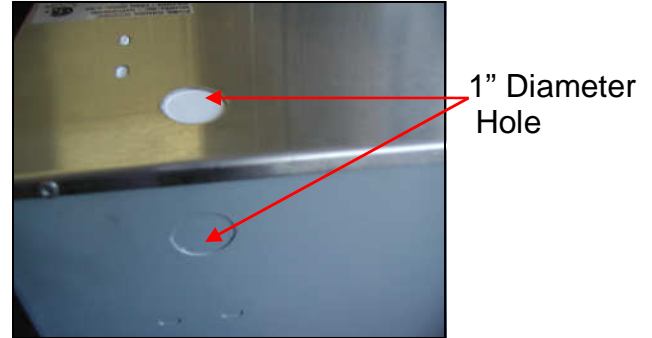


Figure 5

4. Draw electrical wires through cabinet access opening.
5. Place screw (not provided) into the exact center of each knockout hole. Make sure all screws are in place before tightening screws. **CAUTION: MAKE SURE THE HOOD IS SECURE BEFORE RELEASING.**

Ductwork Installation

6. Use aluminum or steel pipe to connect the plastic exhaust on the hood to the ductwork above. Use duct tape to make all joints secure and air tight.
7. Continued on page 16.

UNDER THE CABINET INSTALLATION – REAR VENT

Preparation before installation

NOTE: TO AVOID DAMAGE TO YOUR HOOD, PREVENT DEBRIS FROM ENTERING THE VENT OPENING.

- Decide the location of the venting pipe from the hood to the outside. Refer to Figure 6.
- A straight, short venting run will allow the hood to perform more efficiently.
- Try to avoid as many transitions, elbows, and long run as possible. This may reduce the performance of the hood.
- Temporarily wire the hood to test for proper operation before installing.
- Peel protective film off the hood (if any).
- For installing under the cabinet with recessed bottom, attach 4-inch wide wood filler strips (not included) on each side. Refer to Figure 7.
- Measure and create access opening for electrical wires under the cabinet or access opening for the electrical wires at the rear of the hood.
- Remove the screws on the vent cover (rear) and cut along the line of the inner vent cover (rear) opening. Refer to Figure 8.
- Cut the vent cover (rear) opening and reverse to the other side. Refer to Figure 9. Reattach the vent cover (rear).

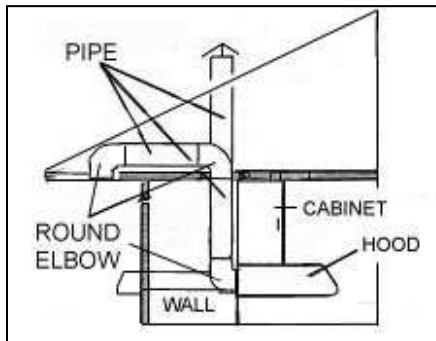


Figure 6

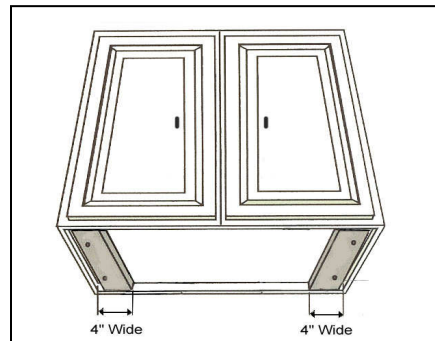


Figure 7



Figure 8



Figure 9

Hood Installation

CAUTION: If required to move the cooking range to install the hood, turn off the power on an electric range at the main electrical box. **SHUT OFF THE GAS BEFORE MOVING A GAS RANGE.**

1. Puncture the knockout holes on the hood as shown in Figure 10.
2. Unscrew and remove the multi duct exhaust. Replace with {D} vent cover (top) on page 3.
3. Refer to Figure 11.



Figure 10

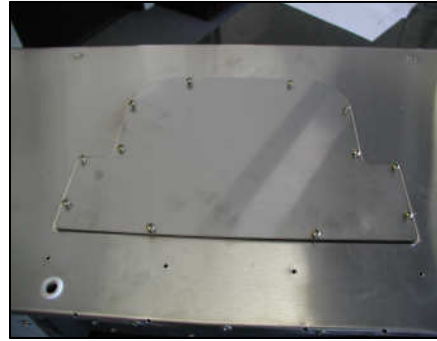


Figure 11

3. Unscrew the six screws on the bottom casing. Remove the bottom casing. If necessary, arrange the electrical wires to run through the 1" diameter hole on the top or the rear of the hood. Refer to Figure 12.
4. Using references on Table 1 and measurements on page 21 center the hood in place beneath the cabinet and flush with the front of the cabinet.
5. Place screw (not provided) into the exact center of each knockout hole. Make sure all screws are in place before tightening screws. **CAUTION: MAKE SURE THE HOOD IS SECURE BEFORE RELEASING.**

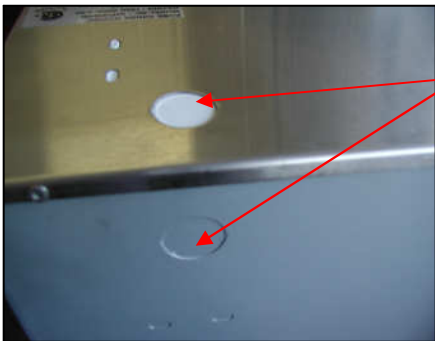


Figure 12

Ductwork Installation

6. Use aluminum or steel pipe to connect the exhaust opening at the rear of the hood to the ductwork. Use duct tape to make all joints secure and air tight.
7. Continued on page 16.

STAND ALONE INSTALLATION – TOP VENT

***This installation only applied with the purchase of a duct cover (Model No. CH1120DC).

Preparation before Installation

NOTE: TO AVOID DAMAGE TO YOUR HOOD, PREVENT DEBRIS FROM ENTERING THE VENT OPENING.

- Decide the location of the venting pipe from the hood to the outside. Refer to Figure 13.
- A straight, short venting run will allow the hood to perform more efficiently.
- Try to avoid as many transitions, elbows, and long run as possible. This may reduce the performance of the hood.
- Use duct tape to seal the joints between pipe sections.
- If necessary, prepare back wall frame with cross framing lumber for secure installation.
- Using references on Table 2 and measurements on page 21-22, decide the level of the lumber. Refer to Figure 14.

Hood Preparation before Installation

- Temporarily wire the hood to test for proper operation before installing.
- Peel protective film off the hood and the duct cover (if any).
- Cut the multi vent exhaust according to the size of the venting pipe. Refer to Figure 15.

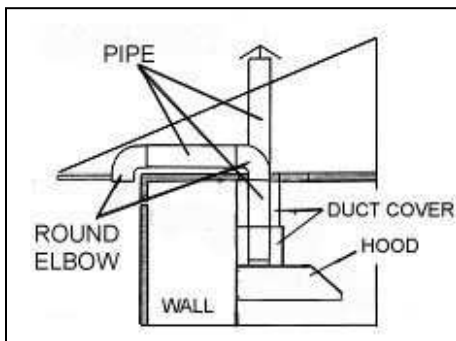


Figure 13

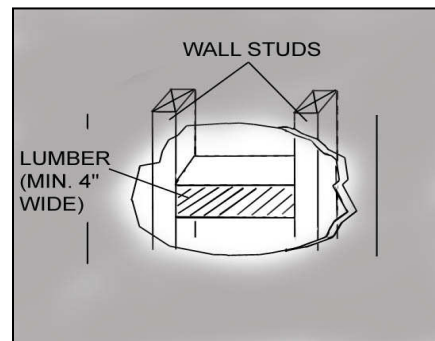


Figure 14

Figure 15



- If necessary, attach two rubber stands (provided) with two (4x8 mm) screws (provided) to the back of the hood.
- Attach the hood-mounting bracket to the back of the hood with nine (3/16" x 3/8") screws (provided) as shown in Figure 16.

Hood Installation

CAUTION: If required to move the cooking range to install the hood, turn off the power on an electric range at the main electrical box. **SHUT OFF THE GAS BEFORE MOVING A GAS RANGE.**

1. Using references on Table 2 and measurements on page 21-22, mark the leveling point of the hood. Position two mounting screws (not provided) on the wall, leaving 1/8" away from the wall as shown in Figure 17.



Figure 16

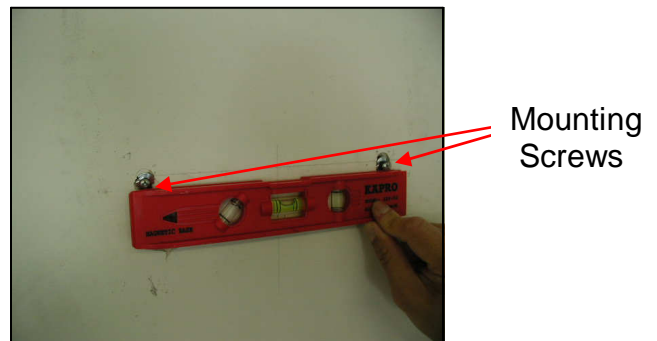


Figure 17

2. Align hood-mounting bracket to the two screws on the wall and hook hood into place. Tighten screws to secure hood to the wall. **CAUTION: MAKE SURE THE HOOD IS SECURE BEFORE RELEASING.**

Duct Cover Installation

3. Mark the position of the duct cover-mounting bracket. Use reference **E** from Table 2 and measurements on page 21-22. Attach and secure duct cover-mounting bracket with two screws (not provided). Refer to Figure 18. **NOTE:** Inner duct cover will cover the duct cover-mounting bracket.
4. Use aluminum or steel pipe to connect the plastic exhaust on the hood to the ductwork above. Use duct tape to make all joints secure and air tight.
5. Connect electrical wires. Refer to "Wiring to Power Supply" on page 16.
6. Slide the inner duct cover up 2 inches before sliding the entire duct cover onto the hood. Refer to Figure 19.



Figure 18

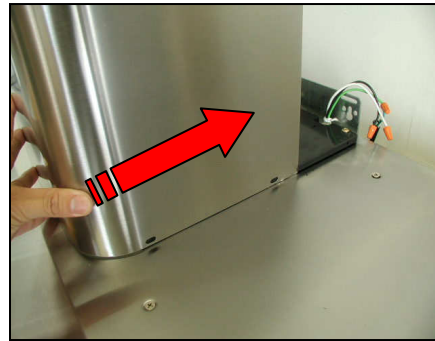


Figure 19

7. Adjust the height of the inner duct cover to the duct cover-mounting bracket. Secure the inner duct cover with two (4x8 mm) screws (provided) as shown in Figure 20.



Figure 20

8. Fasten outer duct cover to multi vent exhaust on the hood with four (4x8 mm) screws (provided).
9. Continued at "Install Accessories" on page 16.

STAND ALONE INSTALLATION – REAR VENT

***This installation only applied with the purchase of a duct cover (Model No. CH1120DC).

Preparation before Installation

NOTE: TO AVOID DAMAGE TO YOUR HOOD, PREVENT DEBRIS FROM ENTERING THE VENT OPENING.

- Decide the location of the venting pipe from the hood to the outside. Refer to Figure 21.
- A straight, short venting run will allow the hood to perform more efficiently.
- Try to avoid as many transitions, elbows, and long run as possible. This may reduce the performance of the hood.
- Use duct tape to seal the joints between pipe sections.
- If necessary, prepare back wall frame with cross framing lumber for secure installation. Using references on Table 2 and measurements on page 21-22, decide the level of the lumber. Refer to Figure 22.

Hood Preparation before Installation

- Temporarily wire the hood to test for proper operation before installing.
- Peel protective film off the hood and the duct cover (if any).
- Remove the screws on the vent cover (rear) and cut along the line of the inner vent cover (rear) opening. Refer to Figure 23.
- Cut the vent cover (rear) opening and reverse to the other side. Refer to Figure 24.

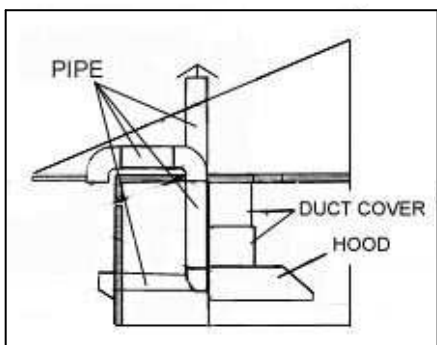


Figure 21

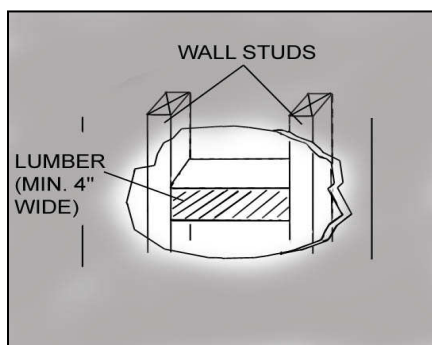


Figure 22



Figure 23

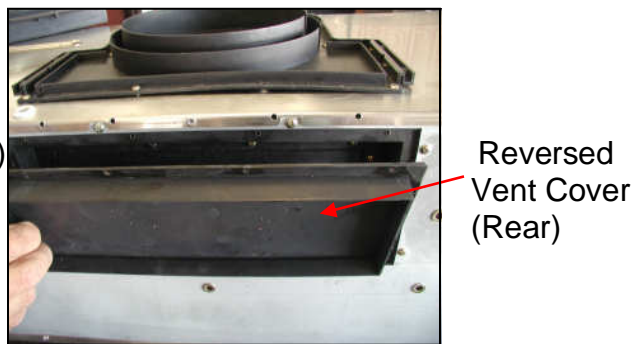


Figure 24

- If necessary, attach two rubber stands (provided) with two (4x8 mm) screws (provided) to the back of the hood.
- Attach the hood-mounting bracket to the back of the hood with nine (3/16" x 3/8") screws (provided) as shown in Figure 25.

Hood Installation

CAUTION: If required to move the cooking range to install the hood, turn OFF the power on an electric range at the main electrical box. **SHUT OFF THE GAS BEFORE MOVING A GAS RANGE.**

1. Using references on Table 2 and measurements on page 21-22, mark the leveling point of the hood. Position two mounting screws (not provided) on the wall, leaving 1/8" away from the wall as shown in Figure 26.



Figure 25

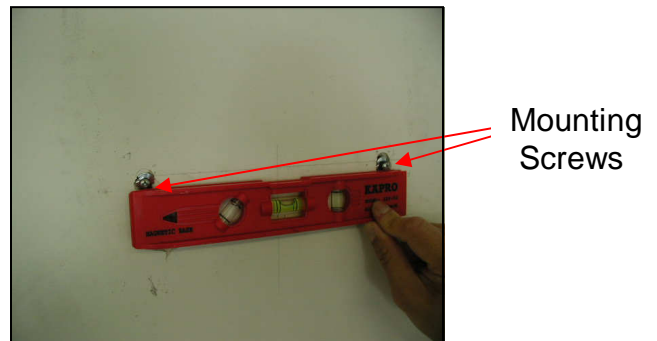


Figure 26

2. Use aluminum or steel pipe to connect the exhaust opening at the rear of the hood to the ductwork. Use duct tape to make all joints secure and air tight.
3. Align hood-mounting bracket to the two screws on the wall and hook hood into place. Tighten screws to secure hood to the wall. **CAUTION: MAKE SURE THE HOOD IS SECURE BEFORE RELEASING.**

Duct Cover Installation

4. Mark the position of the duct cover-mounting bracket. Use calculation **E** from Table 2 for references. Attach and secure duct cover-mounting bracket with two screws (not provided). Refer to Figure 27. **NOTE:** Inner duct cover will cover the mounting bracket.
5. Connect electrical wires. Refer to "Wiring to Power Supply" on page 16.
6. Slide the inner duct cover up 2 inches before sliding the entire duct cover onto the hood. Refer to Figure 28.



Figure 27

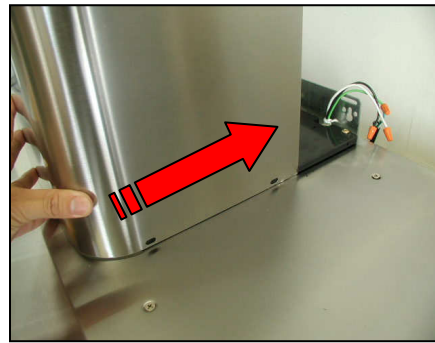


Figure 28

7. Adjust the height of the inner duct cover to the duct cover-mounting bracket. Secure the inner duct cover with two (4x8 mm) screws (provided) as shown in Figure 29.

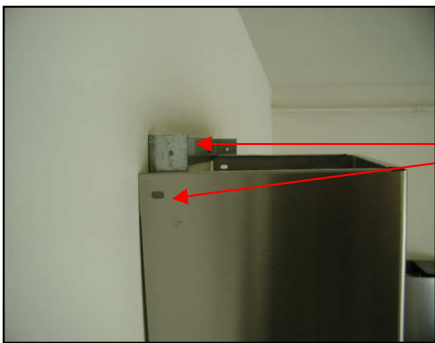


Figure 29

8. Fasten outer duct cover to multi vent exhaust on the hood with four (4x8 mm) screws (provided).
9. Continued at "Install Accessories" on page 16.

Wiring to Power Supply

⚠ SAFETY WARNING

RISK OF ELECTRICAL SHOCK. THIS RANGE HOOD MUST BE PROPERLY GROUNDED. MAKE SURE THIS IS DONE BY SPECIALIZED ELECTRICIAN IN ACCORDANCE WITH ALL APPLICABLE NATIONAL AND LOCAL ELECTRICAL CODES. BEFORE CONNECTING WIRES, SWITCH POWER OFF AT SERVICE PANEL AND LOCK SERVICE PANEL TO PREVENT POWER FROM BEING SWITCHED ON ACCIDENTALLY.

1. Connect the electrical wires.
 - If necessary to hide the electrical wire connections, push wires back into the wiring box. Access the wire connections underneath the hood by removing the bottom casing from the six screws. Before reattaching the bottom casing, make sure wires do not slip between motors, impellers, or any moving parts to prevent any damage.
 - Connect three wires (black, white and green) to house wires and cap with wire connectors.
 - Connect according to color: black to black, white to white, and green to green.
 - Test the operation of the hood before moving on to the next step. Make sure power is supplied to the hood.

Install Accessories

1. Place the oil container (round) into keyhole under each safety screen. Turn clock-wise until firmly in place. Refer to Figure 30.
2. Slide oil container (oval) into plastic slot behind each safety screen as shown in Figure 31.

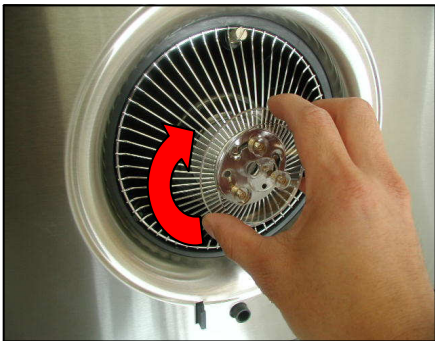


Figure 30



Figure 31

Final Assembly

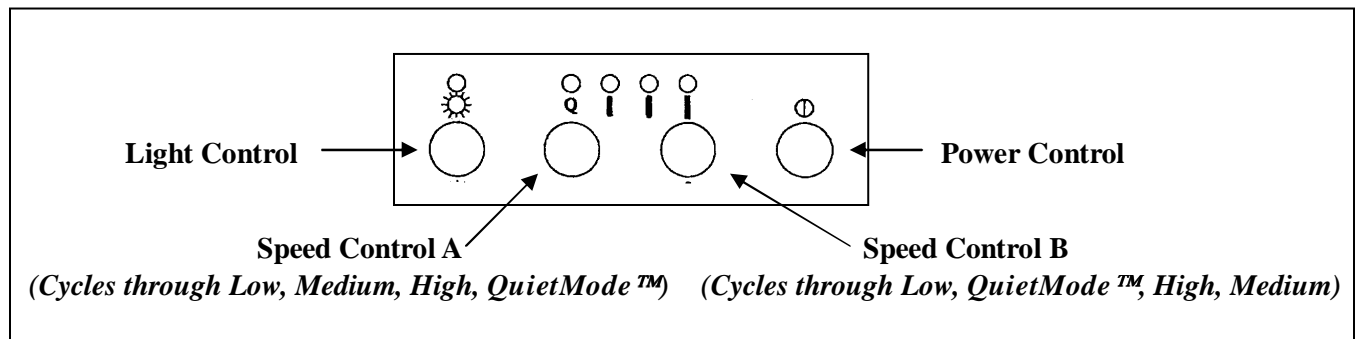
1. Turn power ON in control panel. Check all lights and fan operation.
2. Make sure to leave this manual for the homeowner.

OPERATING INSTRUCTIONS

This KOBE hood is equipped with four electronic controls with a 10-second standby startup & 30-second delay shutoff, two powerful centrifugal turbine impellers with safety screens, two bright 12-volt 20-watt halogen lights, and four oil containers.

The four electronic controls are Light Control, Speed Control A (cycles through Low, Medium, High, QuietMode™), Speed Control B (cycles through Low, QuietMode™, High, Medium) and the Power Control (On/Off). Refer to Figure 32.

Figure 32



Turn On:

- Press Power Control (On/Off) button once. (If any Control button is not pressed within 10 seconds, power will be automatically turned off).
- The KOBE hood will start on Low speed. Each press of the Speed Control button will cycle through the various speeds.
- Press Speed Control A button to cycle from Low, Medium, High, or QuietMode™. Press Speed Control B button to cycle from Low, QuietMode™, High or Medium.
- Press Light Control button to turn halogen light on.

Turn Off:

- Press Power Control (On/Off) button once, panel lights will flash and power will be completely shut off after 30 seconds.
- OR
- Press Power Control (On/Off) button twice, all power will be shut off immediately.
 - If only the lights are on, pressing Power Control (On/Off) button once will turn power off after 30 seconds.

MAINTENANCE

CAUTION: NEVER PUT YOUR HAND INTO THE AREA HOUSING THE FAN WHILE THE FAN IS OPERATING.

For the optimal level of operation, clean the range hood surface, safety screens, and oil containers regularly.

To Clean Hood Surface

CAUTION: NEVER USE ABRASIVE CLEANERS, PADS, OR CLOTHS.

*** Regular care will help preserve its fine appearance.

- 1) Use only mild soap or detergent solutions. Dry surfaces using soft cloth.
- 2) If hood looks splotchy (stainless steel hood), use an orange base cleaner to clean the surface of the hood. Avoid cleaner to get on the control switches. Only spread a light coating over the surface of the hood and leave on for a few minutes (do not leave on too long or this may cause damage to hood finish). Use soft towel to wipe off the cleaning solution, gently rubs any stubborn spots. Use a slightly damp towel to get rid of any cleaning solution. Use dry soft towel to dry the hood.
- 3) To bring the glow back into a stainless steel finish, use a stainless steel cleaner.
- 4) DO NOT allow deposits to remain for long periods of time.
- 5) DO NOT use ordinary steel wool or steel brushes. Small bits of steel may adhere to the surface causing rust.
- 6) DO NOT allow salt solutions, disinfectants, bleaches, or cleaning compounds to remain in contact with stainless steel for extended periods. Many of these compounds contain chemicals, which may be harmful. Rinse with water after exposure and wipe dry with a clean cloth.

To Clean Oil Containers, Safety Screens and Impellers

CAUTION: DRAIN OIL CONTAINER BEFORE OIL CAN OVERFLOW.

- 1) Normal Cleaning
 - Spray a mild degreaser into the fan and turn on high speed. Liquid residue will accumulate in the oil containers.
- 2) Cleaning Oil Containers
 - Remove the oil container (round) by turning counter-clockwise.
 - Remove the oil container (oval) by sliding forward.
 - Wash with warm soapy water. Dry completely before returning into place.
 - *Top rack dishwasher safe.*
- 3) Cleaning Safety Screens
 - Remove the safety screen screw and slide the safety screen out.
 - Wash with warm soapy water. Dry completely before returning into place.
 - *Top rack dishwasher safe.*

To Replace Light Bulb

CAUTION: HALOGEN LIGHT UNIT MAY BE HOT! WAIT UNTIL UNIT IS COOL.

- 1) Make sure all control switches are off, and range hood is unplugged.
- 2) Use a flat head screwdriver to pop out the protective covering as shown in Figure 33.
- 3) Gently pull out the defective light bulb and discard. Light bulbs should be 12V 20W maximum. Refer to Figure 34. Push bulb securely into light socket.
- 4) Replace protective cover.
- 5) Plug in range hood.



Figure 33



Figure 34

SPECIFICATIONS

MODEL / SIZE	CH2230SQ / 30" CH2236SQ / 36"			
COLOR	# 304 Commercial Grade Stainless Steel			
VOLTAGE	120V 60Hz			
NUMBER OF MOTORS	2			
DESIGN	18-Gauge Seamless / Satin Finish			
FAN TYPE	Twin Turbine Impeller			
EXHAUST	Top – 6" Round 7" Round 3-1/4" x 10" Rectangular Rear – 3-1/4" x 10" Rectangular			
CONTROLS	Electronic Control (4 Buttons) – 10-Second Standby Startup 30-Second Delay Shutoff			
HALOGEN LIGHTS	12V 20W x 2			
HOOD DIMENSION (W x D x H)	(CH2230SQ) 29-3/4" x 22" x 5-7/8" (CH2236SQ) 35-3/4" x 22" x 5-7/8"			
OPTIONAL ACCESSORIES (W x D x H)	1) Two-Piece Adjustable Duct Cover (CH1120DC) 11-3/4" x 10-1/4" x (20-5/8" ~ 39-3/4") 2) 30" Stainless Steel Back Panel (SSP30) 30" x 1/10" x 32" 3) 36" Stainless Steel Back Panel (SSP36) 36" x 1/10" x 32"			
WEIGHT (lbs)		<u>Net</u>	<u>Gross</u>	
	(CH2230SQ)	44.0	50.6	
	(CH2236SQ)	46.0	52.6	
SPEED	QuietMode™	Low	Medium	High
Air Capacity (cfm)*	380	560	720	800
Sone	1.0*	3.0	4.5	4.8

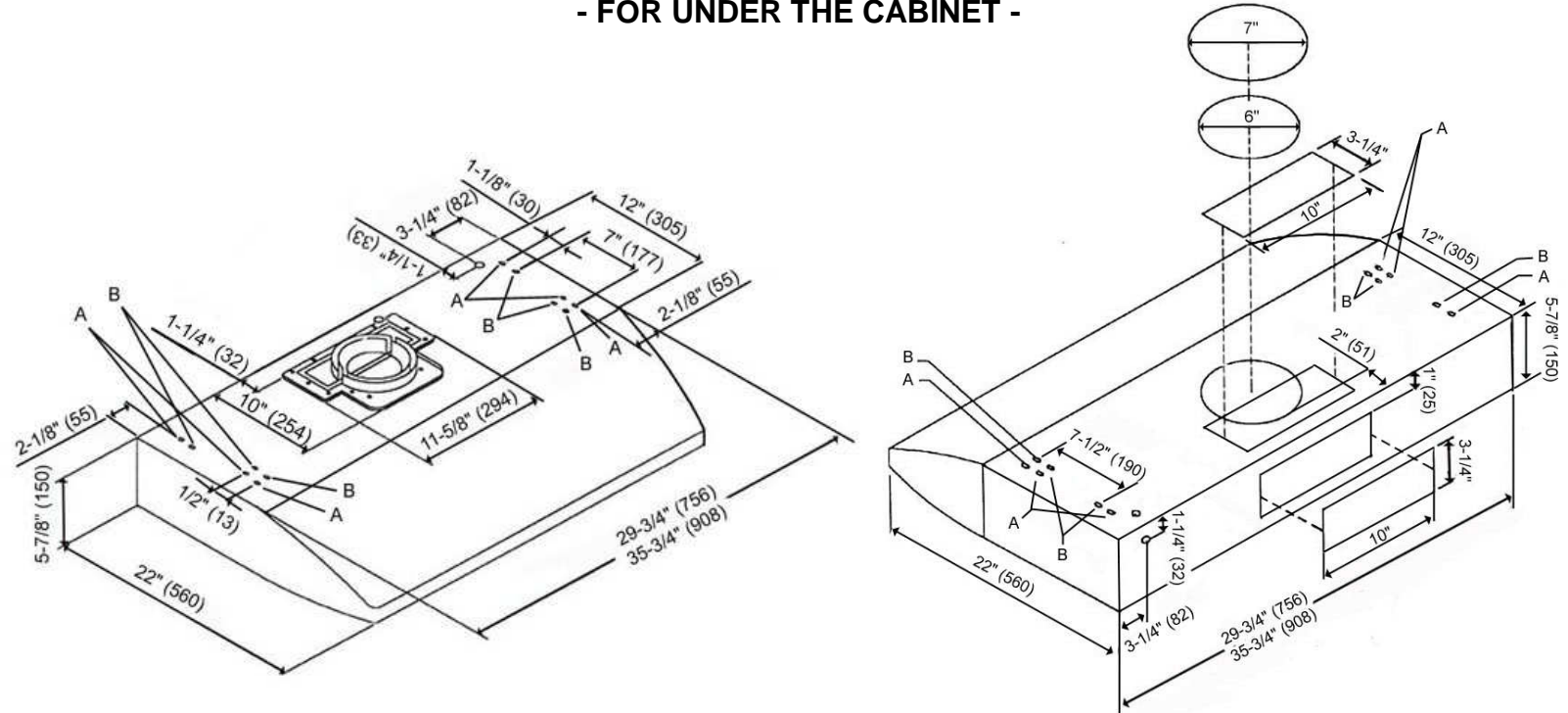
*In House Test Static Pressure "0". One sone is equivalent to the sound of a refrigerator at 40 decibels.

**Specifications subject to change without notice.

MEASUREMENTS & DIAGRAMS

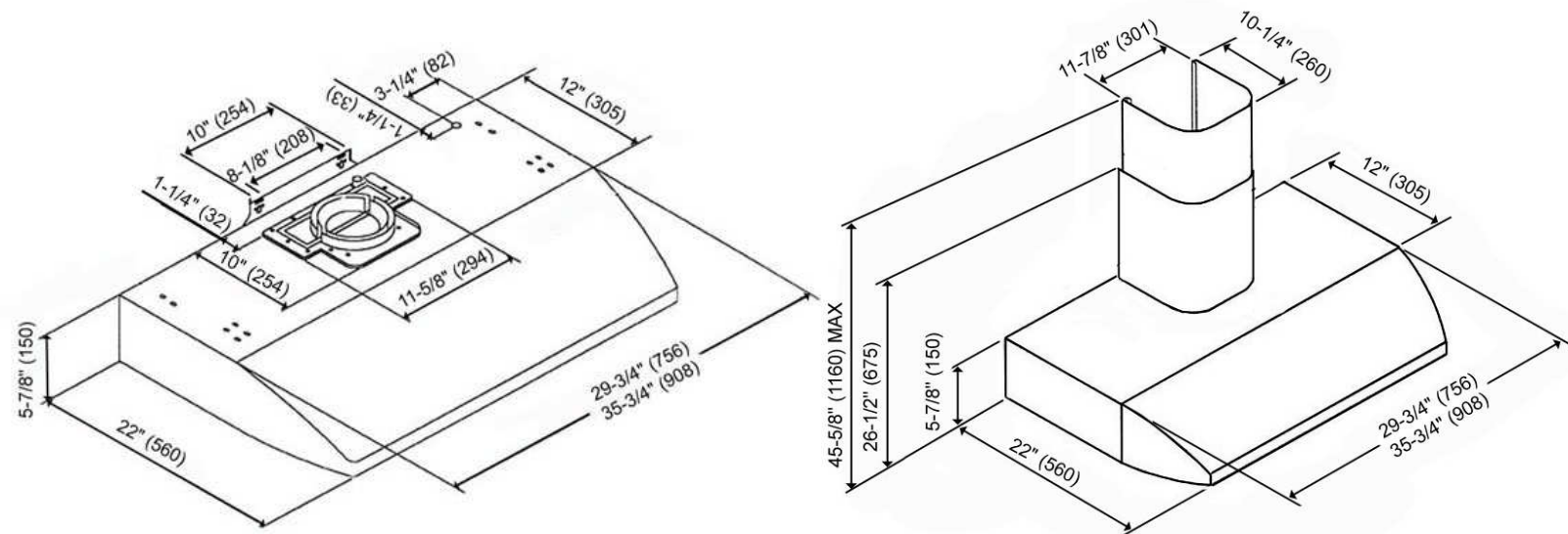
***All inch measurements are converted from millimeters. Inch measurements are estimated.
 ***All measurements in () are millimeters.

- FOR UNDER THE CABINET -

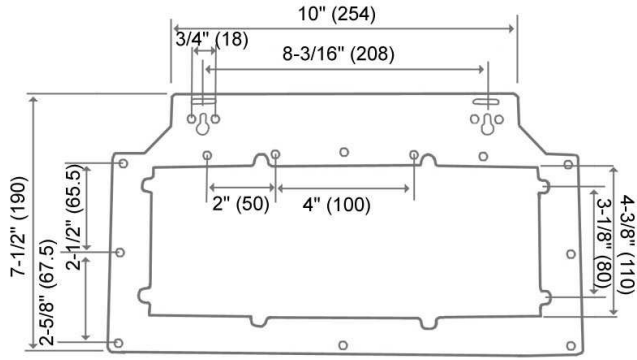


30" = Knockout Holes "A"
 36" = Knockout Holes "A" & "B"

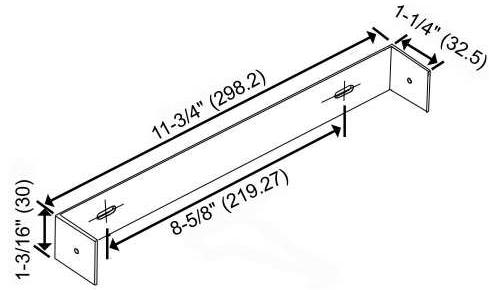
- FOR STAND ALONE (WITH OPTIONAL DUCT COVER) -



***Hood-Mounting Bracket



***Duct Cover-Mounting Bracket



PARTS LIST

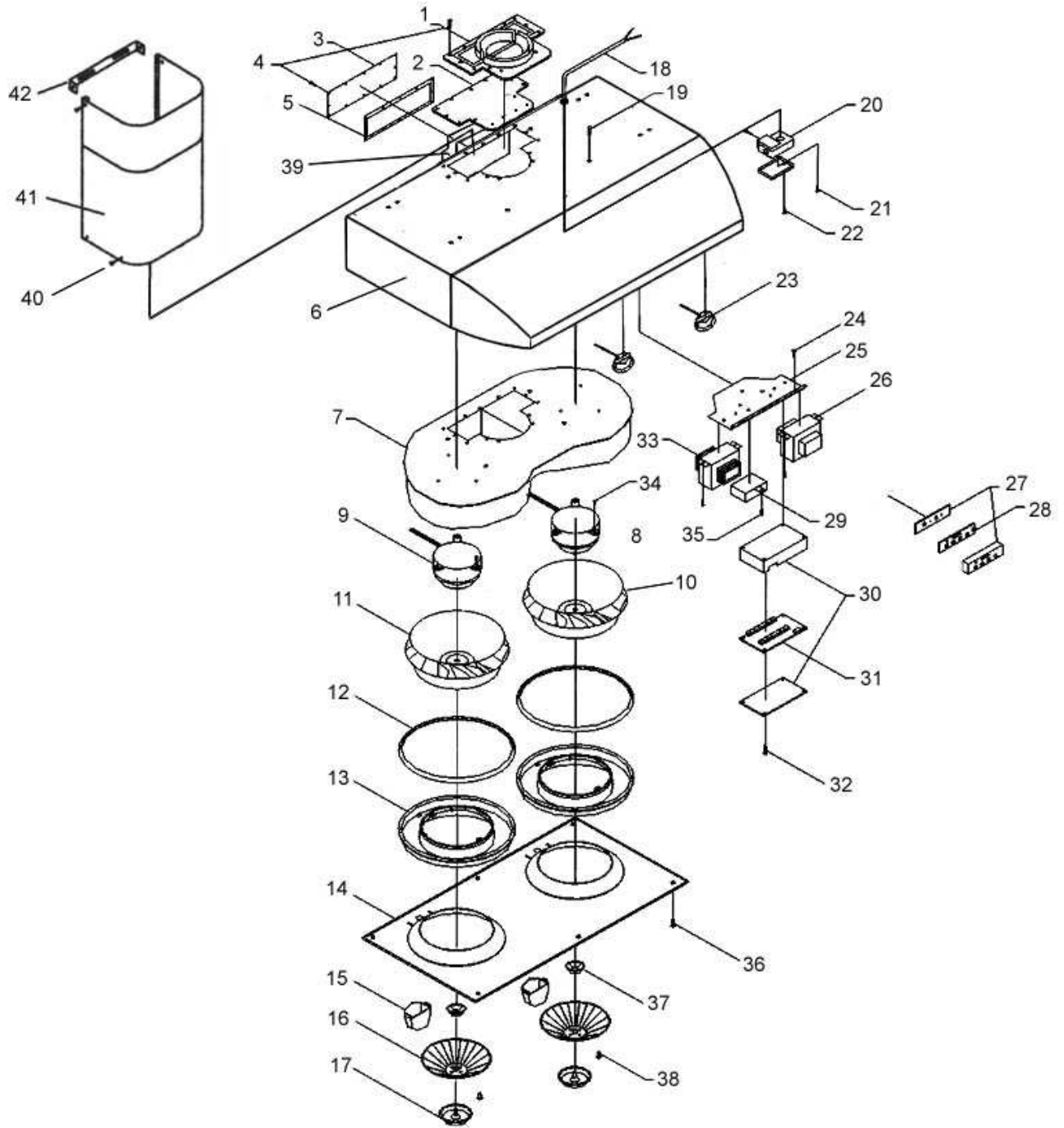
MODEL NO.: CH2230SQ
CH2236SQ

NO.	DESCRIPTION	MODEL /SIZE	PART NO.
1	Multi Duct Exhaust		C1-0507-0301
2	Vent Cover (Top)		B101-1530-12
3	Vent Cover (Rear)		C1-0508-0311-A
4	Vent Cover Screw (1/8" x 3/8")		C1-0708-0003
5	Vent Cover Frame		C1-0508-0311-B
6	Hood Casing	CH2230SQ	10-1630A
		CH2236SQ	10-1636A
7	Air Chamber		C1-0101-1530
8	Motor (Right)		C1-0301-0120-08A
9	Motor (Left)		C1-0301-0120-07A
10	Turbine Impeller (Right)		C1-0251-0880-02
11	Turbine Impeller (Left)		C1-0251-0880-01
12	Oil Tunnel Seal		C1-0502-0301
13	Oil Tunnel		C1-0502-0203
14	Bottom Casing	CH2230SQ	B101-1630-09
		CH2236SQ	B101-1636-09
15	Oil Container (Oval)		C1-0504-0101
16	Safety Screen		C1-0602-0101
17	Oil Container (Round)		C1-0503-0101
18	Power Cord		C1-0406-0120-01
19	Flat Head Screw (3/16" x 5/8")		C1-0704-0001
20	Wire Box		C1-0231-0001
21	Round Head Screw (1/8" x 3/8")		C1-0708-0003
22	Round Head Screw (TS 4 x 6 mm)		C1-0708-0001
23	Halogen Light (12V 20W Max.)		C1-0403-0101
24	Transformer Support Screw (TS 4 x 6 mm)		C1-0708-0001
25	Transformer Support		C1-0201-1530
26	Transformer (Motor)		C1-0402-A120-01
27	Control Unit		C1-0501-0101
28	Control Board		C1-0404-0401-A
29	Capacitor		C1-0401-0120-01A
30	Processor Board Box		C1-0501-0102
31	Processor Board		C1-0404-0401-B
32	Round Head Screw (1/8" x 3/8")		C1-0708-0003
33	Transformer (Light)		C1-0402-0120-40
34	Motor Position Screw (TS 1/4 x 7/16)		C1-0703-0001
35	Round Head Screw (3/16" x 3/8")		C1-0707-0001
36	Bottom Casing Screw (3/16" x 5/8")		C1-0704-0001
37	Impeller Plastic Cover		C1-0251-0001
38	Safety Screen Screw		C1-0705-0001

(Optional Duct Cover)

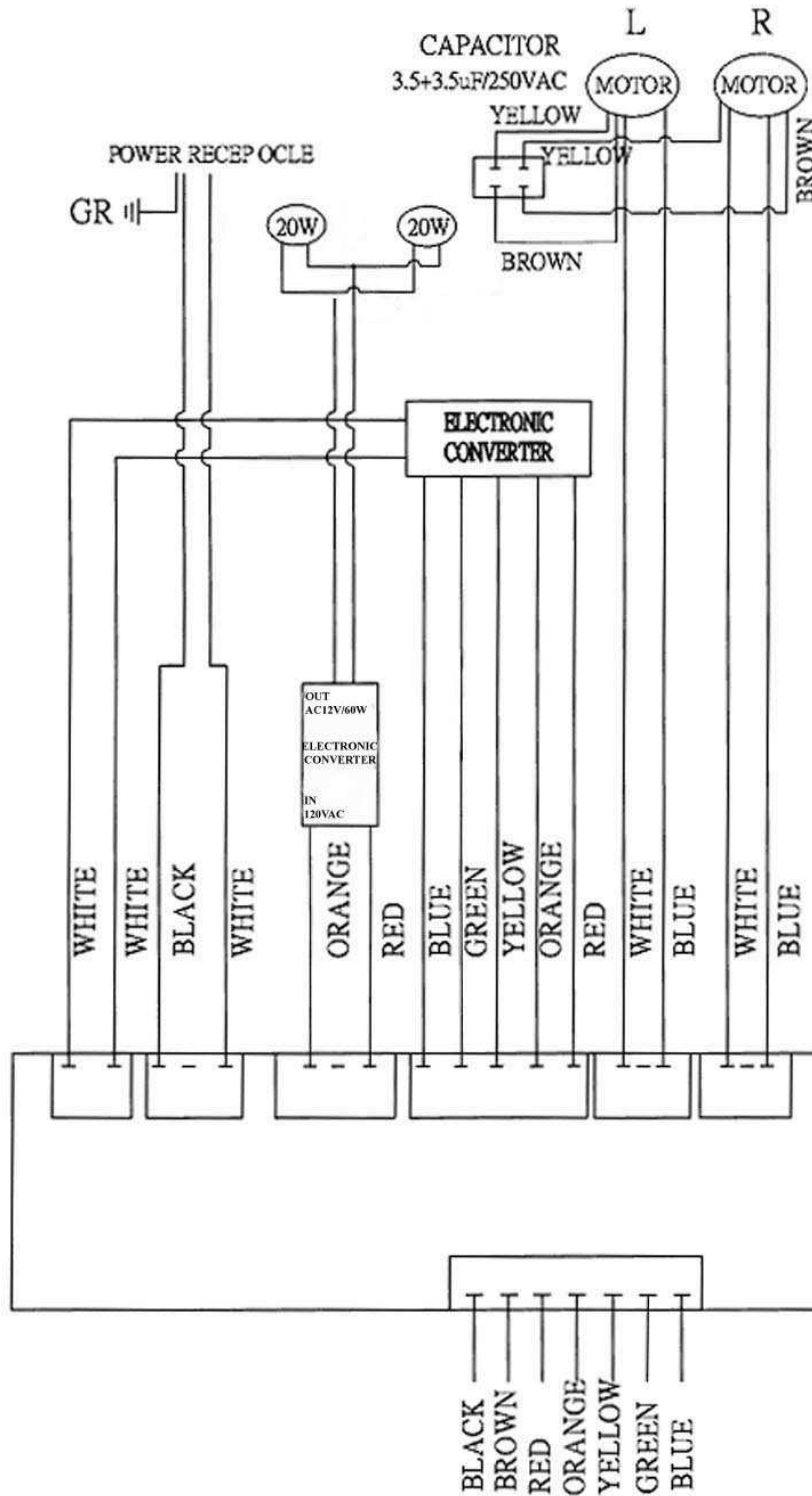
NO.	DESCRIPTION	MODEL /SIZE	PART NO.
39	Hood-Mounting Bracket		C1-0221-1530
40	Screws (TS 4 x 8 mm)		C1-0708-0006
41	Duct Cover	CH1120DC	12-03000-0304
42	Duct Cover-Mounting Bracket		C1-0203-0003

MODEL NO.: CH2230SQ
CH2236SQ



CIRCUIT DIAGRAM

MODEL NO.: CH2230SQ
CH2236SQ



DISCLAIMER

1. **CAREFULLY INSPECT ALL ITEMS FOR DAMAGES BEFORE ACCEPTING DELIVERY. NOTE ANY DAMAGES ON THE FREIGHT BILL OR EXPRESS RECEIPT. REQUEST NAME AND SIGNATURE OF THE CARRIER'S AGENT AND KEEP COPY TO SUPPORT YOUR CLAIM.**

Upon acceptance of items, owner assumes responsibility for its safe arrival. Damages should be reported to carrier and a claim filed. Failure to do this could result in the carrier refusing to honor your claim. The carrier will furnish you with necessary forms for filing a claim.

DAMAGES CAUSED DURING TRANSIT ARE NOT COVERED UNDER OUR WARRANTY.

2. **PLEASE INSPECT CONTENTS OF PACKAGE (S) CAREFULLY UPON RECEIVING!**

We must be notified in writing of any damages and/or missing parts within the allocated days upon receipt of package(s). Contact your local KOBE dealer or distributor or call KOBE for the time limit.

CLAIMS WILL NOT BE ACCEPTED AFTER THE ALLOCATED DAYS.

NOTE: ITEMS WERE THOROUGHLY TESTED AND CAREFULLY PACKED IN OUR FACTORY.

3. Products must be returned in good working condition with ALL original parts and documentation packed in ALL original cartons, fillers and shipping cartons. A restocking fee of 25% will be charged for all approved return(s).

EXCHANGES OR RETURNS MAY NOT BE ACCEPTED IF ANY PACKAGING IS MISSING.

4. **MAKE SURE TO INSPECT THE HOOD FOR DAMAGES AND DEFECTS BEFORE INSTALLATION.** Appearance flaws of the hood found after installation and not affecting hood performance is not covered under our warranty for returns or exchanges. Service visits not covered under warranty will carry a service charge.

A) Before Installation: Return for exchange or refund (please see above for acceptable returns).

B) After Installation: **NO** exchange or refund.

WARRANTY

WARRANTY CERTIFICATE

KOBE Range Hoods, Inc. warrants all products manufactured or supplied by it to be free from defects in workmanship and materials. Its obligations pursuant to this warranty are limited to a period of two years from the date of purchase and to the repair or replacement at its option and subject to the terms and conditions stated below, of any component part, which its examination shall disclose to be so defective.

TWO-YEAR WARRANTY SERVICE PERIOD

Any covered failure occurring within two years of original purchase arising from defective workmanship or material in manufacture will be repaired (or at our option the unit will be replaced) free of charge by an authorized KOBE Range Hoods Agent or KOBE Range Hoods as applicable. Keep proof of purchase (or original invoice) handy for inspection.

If the range hood is sold by the original purchaser during the warranty period the new owner is protected until expiration of the original purchaser's warranty.

CONDITIONS

The following conditions apply only in relation to the warranty expressly given in this certificate.

- 1) This warranty applies only:
 - a) within U.S.A. and Canada.
 - b) to range hoods used for PRIVATE SINGLE FAMILY USE (if used for COMMERCIAL or MULTIPLE FAMILY USE or other purposes, warranty will be voided).
- 2) Repair of any fault to be provided under this warranty shall not be provided:
 - a) if the identification number attached to the range hood has been altered, rendered illegible or removed;
 - b) if notice of the defect has not been given within the period applicable;
 - c) for failure of light bulbs;
 - d) for physical damage;
 - e) for surfaces damaged by use of improper chemical cleaning agents;
 - f) if the appliance has been:
 - i) subject to misuse, abuse, negligence, accident, incorrect installation or failure to follow the operating instructions;
 - ii) connected to improper, inadequate or faulty electricity service or exhaust ducts or flues or operated using incorrect or contaminated lubricants;
 - iii) installed, maintained or operated otherwise than in accordance with the instructions furnished by KOBE Range Hoods including the improper use of detergents, bleaches, or cleaners.
 - g) for damage to range hood during transit, delivery, installation or removal;
 - h) for damage by or resulting from attempted repairs conducted by anyone other than our Authorized Service Agent.

- 3) The purchaser shall be responsible for any expenses involved in making the range hood readily accessible for servicing and where the range hood is installed outside the main sales territory of the retailer or service territory of the nearest approved KOBE Range Hoods Agent as applicable, for any traveling expenses and any costs of transporting the range hood or parts thereof to and from the dealer or Service Agent
- 4) The purchaser must produce proof of purchase together with this warranty certificate when making the claim.
- 5) Damages caused during shipment are not covered under our warranty.

CONSEQUENTIAL DAMAGE

The warrantor is not responsible for any consequential damage. SOME STATES DO NOT ALLOW THE EXCLUSION OF CONSEQUENTIAL DAMAGE SO THE ABOVE EXCLUSION MAY NOT APPLY TO YOU.

IMPLIED WARRANTIES/STATE LAW

Any implied warranties, including the implied warranty of merchantability and fitness for purpose, imposed on the sale by the laws of the state of sale are limited to two year from the date of original purchase. Some states do not allow limitations on the duration of implied warranties. This warranty gives you specific legal rights, and may also have rights, which vary from state to state.

SERVICE

For service contact:

KOBE Range Hoods
10505 Valley Blvd, Suite 302
El Monte, CA 91731
U.S.A
Tel: (626) 350-1355 Fax: (626) 350-1976
Email: customer.service@KOBERangeHoods.com
Website: www.KOBERangeHoods.com

PRODUCT REGISTRATION

Register Your Product!

Any covered failure occurring within two years of original purchase arising from defective workmanship or material in manufacture will be repaired or at our option the unit will be replaced free of charge by an authorized KOBE Range Hoods Agent or KOBE Range Hoods as applicable. Keep proof of purchase (original invoice) handy for inspection.

If the range hood is sold by the original purchaser during the warranty period the new owner is protected until expiration of the original purchaser's warranty. See warranty section for complete warranty coverage information.

This appliance has been manufactured, tested, and inspected to the standards required by KOBE Range Hoods.

PLEASE MAIL IN YOUR WARRANTY REGISTRATION CARD AND PROOF OF PURCHASE TO:

KOBE Range Hoods
10505 Valley Blvd Suite # 302
El Monte, CA 91731 USA

RECORD THE FOLLOWING INFORMATION FOR YOUR RECORD:

Model No. _____

Serial No. _____

Purchased Date ____/____/____

Purchased From:

IMPORTANT: PLEASE KEEP A COPY OF YOUR SALE RECEIPT OR INVOICE HANDY WHEN REQUESTING FOR SERVICE.